

# 旋转式机械手

Swing Arm Robots

L-650[V]

# 注塑用机械手 TAKE-OUT ROBOT

L-650[V]



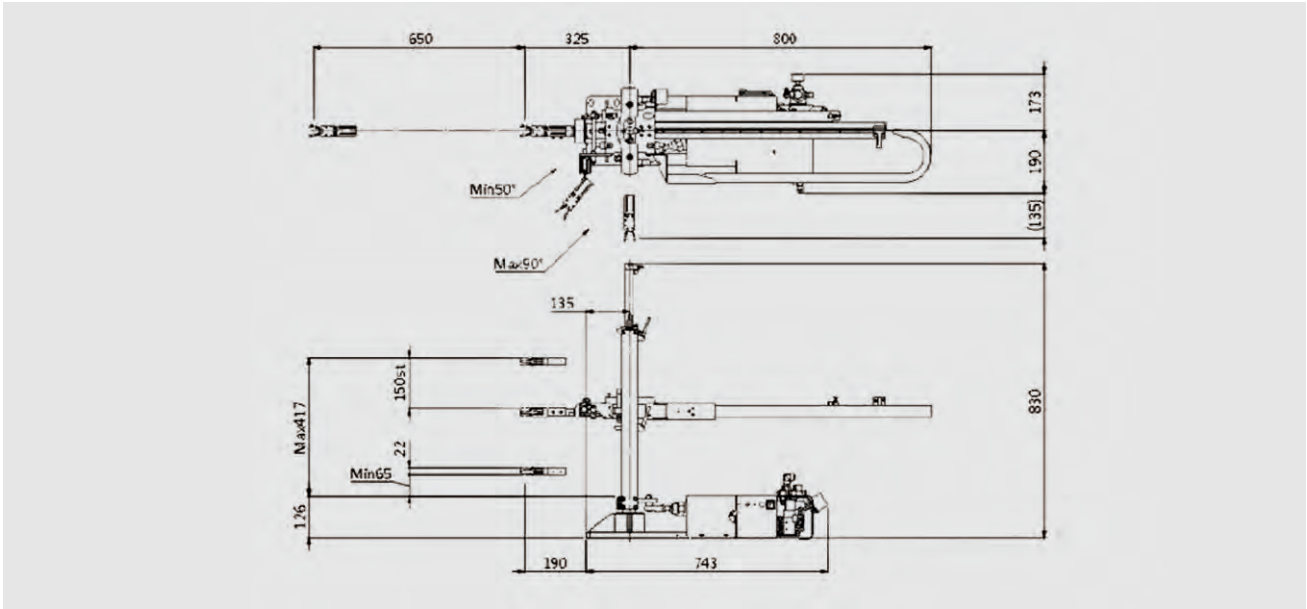
## 特长

- 上下待机位置手柄调整功能。  
旋转手柄可调节进入模具上下方向的位置
- 回转角度调整功能。  
简单机械调整可变更回转方向及回转角度
- 夹具部反转功能。  
夹具部反转可使浇口释放平顺完成
- 固定侧·可动侧切换。  
固定侧可动侧对应切换

## Features

- Vertical standby position adjustment function with handle.  
Adjustment of top and bottom direction of entry position to mold is possible by turning the handle.
- Rotation angle adjustment function.  
Simple machine adjustment makes it possible to change the direction of rotation and to adjust the rotation angle
- Chuck part reversal function.  
Sprue runner release is performed smoothly by chuck twist
- Extraction from fixed & moving side mold.  
Sprue runner of fixed part mold can be extracted

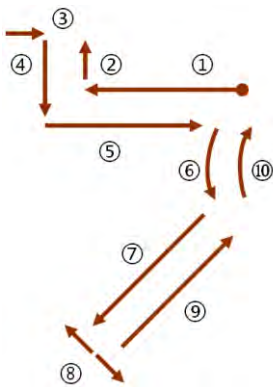
型式 MODEL	单位 UNIT	L-650[V]
电源 Power Source	V	AC 220 ± 10% 50/60Hz
最大消费电力 Max Power Consumption	KW	0.1
使用气压 Air Pressure	Mpa	0.5 ~ 0.7
空气消费量 Air Consumption	NI/cycle	15.1
驱动方式 Drive System	---	气缸/Air Cylinder
夹具部反转 Chuck twist	---	180°
■ 气缸推力 (气压0.49MPa时) Air Cylinder Driving Force (Air Pressure at 0.49MPa)		
最大可搬重量 Max.Load	Kg	2 [含夹具重量 / Incl Chuck Weight]
■ 行程 Stroke		
上下 Vertical	mm	120
前后 Crosswise	mm	650
回转 Swing	mm	50° ~ 90° [0°固定 Fixed]
■ 本体重量 Net Weight		
本体 Main Body	Kg	30



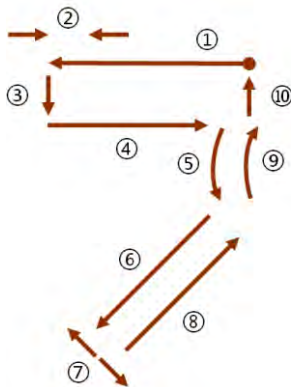
**基本动作 MOTION PATTERN**

**Type 1**

**Type 2**



**Type 1**



**Type 2**

① 前进 Crosswise advance	① 前进 Crosswise advance
② 上升 Ascent	② 产品夹取 Sprue grip
③ 产品夹取 Sprue grip	③ 引拔 Crosswise retreat
④ 引拔 Crosswise retreat	④ 后退 Retreat
⑤ 后退 Retreat	⑤ 回转 Swing action
⑥ 回转 Swing action	⑤ 夹具部反转 Chuck twist
⑥ 夹具部反转 Chuck twist	⑥ 前进 Crosswise advance
⑦ 前进 Crosswise advance	⑦ 产品释放 Sprue release
⑧ 产品释放 Sprue release	⑧ 后退 Retreat
⑨ 后退 Retreat	⑨ 回转复归 Swing return
⑩ 回转复归 Swing return	⑨ 夹具部反转变复归 Chuck twist return
⑩ 夹具部反转变复归 Chuck twist return	⑩ 待机位置复归 Crosswise advance

有关产品性质和适用范围的说明并不保证产品属性，仅作可供了解的信息。我们的供货范围及提供的服务完全以合同条款为准绳。技术数据和插图仅作为供货参考。保留更改权利。

Feature and scope of the product does not guarantee the product attributes, only for reference. Our scope of delivery and services provided are based solely on the terms of delivery and services provided are based solely on the terms of the contract. Technical data and illustration are only for reference. We reserve the rights of changing.

TSD-2021-12

## 广东拓斯达科技股份有限公司

GUANGDONG TOPSTAR TECHNOLOGY CO.,LTD.

地址：广东省东莞市大岭山镇大塘朗创新路2号

ADD : No.2 Chuangxin Road, Datanglang, Dalingshan Town, Dongguan City, Guangdong Province.

电话/TEL: 0769-8305 0999 传真/FAX: 0769-8584 5562

全国统一客服热线 Domestic Service Hotline **400-096-8005**

